

STM Humus Super M36 (85) Deck

Pedestrian

Version 2 - April 2009



Simon Tullett Machinery Company Limited

Tel: 01789 488450 • Fax: 01789 488032 • Email: sales@st-mach.com • www.st-mach.com

STM Humus Super M36 deck

BELT ADJUSTMENTS

To adjust the engine-driven belt, remove the guard (43)

Engine-driven belt

u

Do not over-tension!

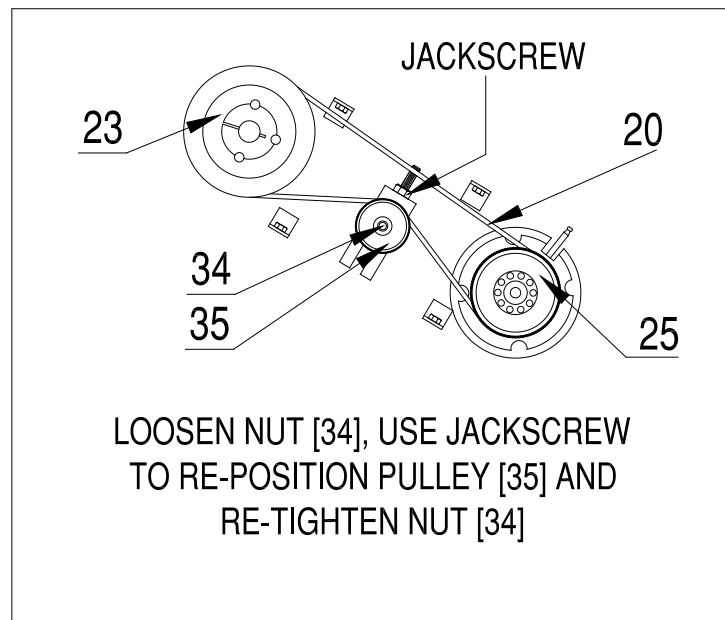
Twin rotor drive belts

k

k

o

Do not over-tension belts!



BELT REPLACEMENT

Engine-driven belt

k

y

u

Replace belt.

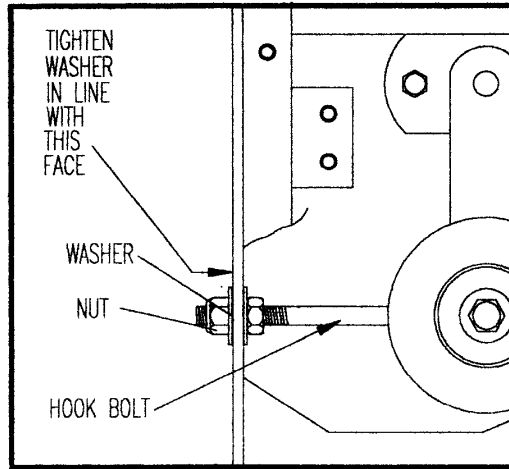
k

o

STM Humus Super M36 deck

" - @k - hO # - U - Vu "

fig 2



Rotor belts

k
° Ct ° ' ok - hO # - u = - o - " - @o @ h ° @o

LUBRICATION & MAINTENANCE

Gearbox

k - h

Duplex chain

O \ # \
") \ Vu \ t - k
8k - ° o

k " u Grease nipples accessed at each end.

Roller

8
#

STM Humus Super M36 deck

VISUAL CHECKS

Belt tension:

.

7
.

" V
.

.

O #

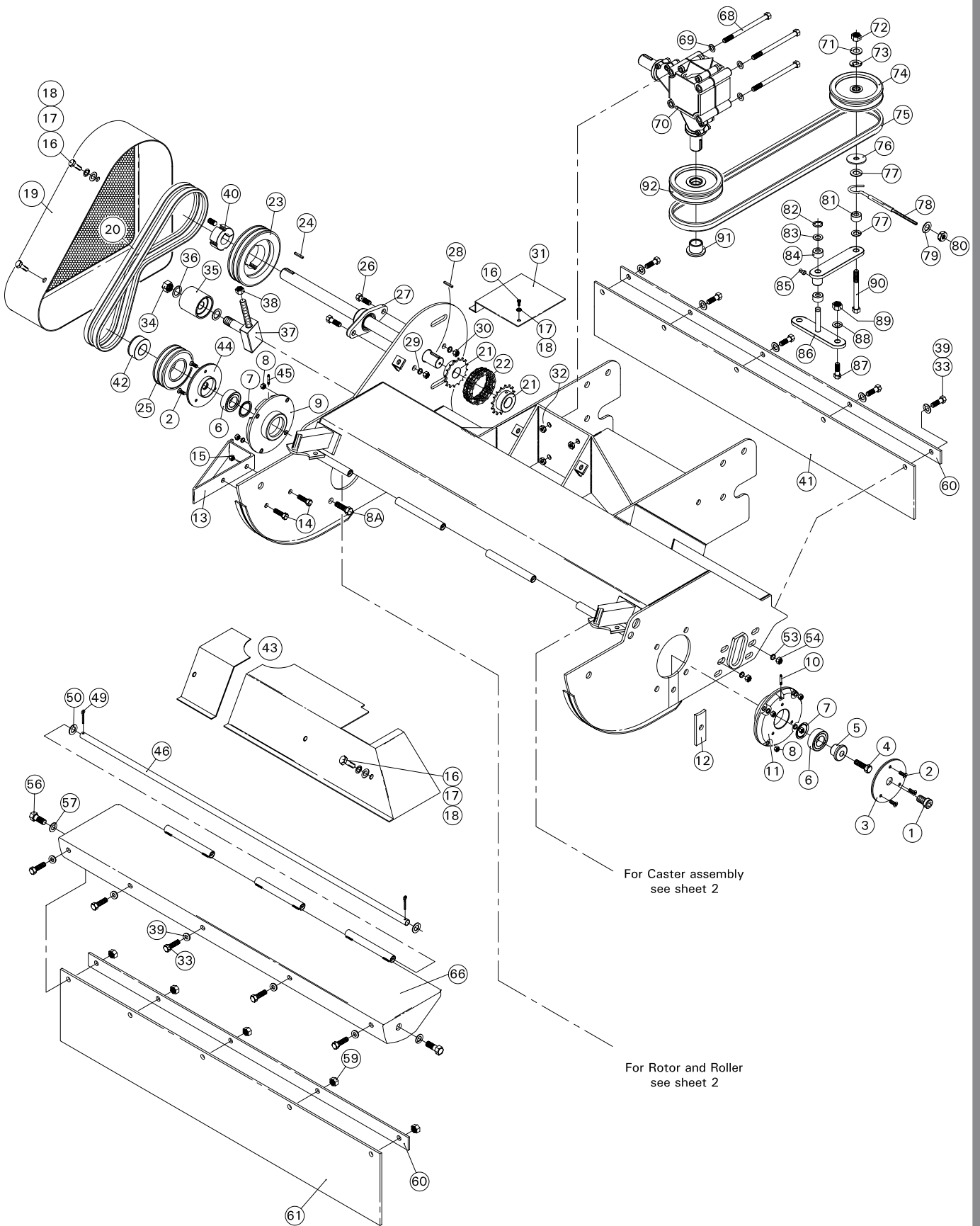
NOTE

@

MUST BE INSTALLED
to prevent risk of damage to rotor bearings

y

auU 'yU yo' o



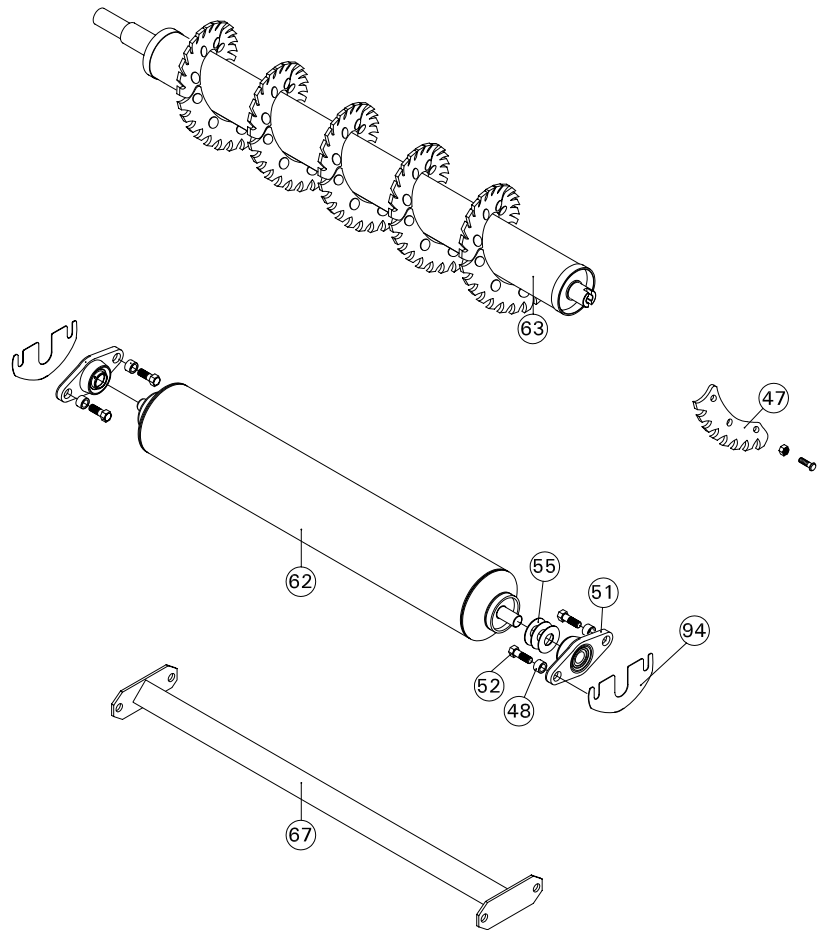
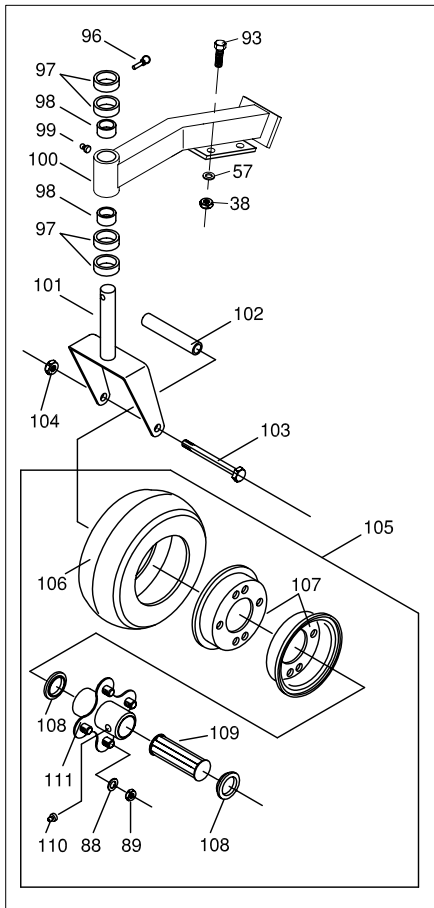
For Caster assembly
see sheet 2

For Rotor and Roller
see sheet 2

Roller - Roller

Roller - Roller

\



STM Humus Super M36 deck

Drawing ref	Part No.)
1	M26391634	Pipe plug
2	M97991015	Flathead screw
3	M26391616	Cover
4	M90912152	Allen Bolt
5	M90127003	Retainer
6	M89022207	Bearing
7	M83002007	Seal
8	M81000335	Nut
8A	M97991605	Bolt
9	M26395184	Bearing casing
10	M97141201	Grease nipple [short]
11	M26395185	Bearing casing
12	10462	Filler plate
13	10463)
14	PL	Bolt
15	PL	Nut
16	PL	M6 x 15 Bolt
17	PL	M6 Spring washer
18	PL	M6 Flat washer
19	10493	Rotor end guard
20	10494	Belts [set of 2]
21	10453A	Coupling assembly: part 1 of 2
22	10453A	Coupling assembly: part 2 of 2
23	10495	Pulley set
24	PL	Key 8 x 7 x 35
25	M26619538	Pulley
26	PL	M8 x 35
27	10003	Bearing
28	PL	Key 8 x 7 x 30
29	PL	M8 Spring washer
30	PL	Nut: M8 Nyloc
31	10496	Guard
32	PL	Nut: M10 Nyloc
33	PL	Nut: M12 Nyloc
34	PL	Nut: M12 Nyloc
35	10264	Tensioner roller
36	10469	Flat washer
37	10470	Adjuster block
38	PL	Nut: M10 Nyloc
39	PL	M6 Flat washer

STM Humus Super M36 deck

Drawing ref	Part No.)
40	10471	Taper bush
41	M26891526	k
42	M80013002	Keyless bush
43	10621	Guard - two pieces
44	M26691537	Bearing cover
45	M97141201	Grease nipple [long]
46	M26891508	o
47	M26695108	"
48	10479	Spacer [bearing]
49	PL	#
50	PL	Flat washer
51	M89000025	Bearing
52	M90927004	Bolt
53	M90127004	Washer
54	M90934005	Nut
55	M26891361	Spacer
56	PL	Bolt: M10 x 25
57	PL	U
58	PL	Nut: M10 Nyloc
59	PL	Nut: M6 Nyloc
60	M26891506	Retaining strip
61	M26891524	7
62	M26895056	Roller
63	M26895104	o
64	10498	Hood - cowling only
65		
66	M26895157	Front guard
67	10597	Spreader bar
68	PL	Bolt
69	PL	Washer: 24 x 10 x 3
70	10013	Gearbox
71	10019-B	Pulley
72	PL	Hex nut: 3/8"
73	PL	Spring washer 3/8"
74	10129	Pulley assy inc. brg. and bush
75	10353	Belt
76	43063	Spacer
77	PL	Washer 10 x 21
78	44101	Eye bolt
79	PL	Washer 24 x 10 x 3

STM Humus Super M36 deck

Drawing ref	Part No.)
80	PL	Nut: M10 Nyloc
81	PL	Washer 3/8 x 2"
82	04050-02	Retainer ring
83	PL	Flat washer
84	48100-05	Bronze brg.
85	43114-01	Grease nipple
86	10043	Idler pivot
87	PL	Bolt: M8 x 30
88	PL	Spring washer - 8mm
89	PL	Hex nut - 8mm
90	PL	Bolt: 3/8 x 3"
91	10045	Taper hub lock
92	482148	Pulley
93	PL	Bolt: M10 x 35
94	M26691397	Spacer - hUMUS 26691397
95		
96	04066-01	Quick pin
97	43037-01	1/2" Spacer [caster yoke]
98	48100-01	Bronze bearing
99	48114-04	Grease nipple
100	10547	Support arm
101	45006	Caster yoke
102	43022	Sleeve [caster wheel bearing]
103	04001-37	Bolt
104	04021-07	Hex locknut: 1/2" x 13
105	48307	Wheel assy: [inc 88, 89 & 106-111]
106	481774	Tyre only [caster wheel]
107	481772	Rim only [caster wheel]
108	481770	Bearing retainer [caster wheel]
109	481769	Roller bearing [caster wheel]
110	48114-03	Grease nipple
111	481768	Hub assy - incl. bolts
112	481773	Inner tube only [caster wheel]

PL _ Purchase Locally