

STM Humus Super SM58 (145) Deck

Ride-on

Version 2 - April 2009



Simon Tullett Machinery Company Limited

Tel: 01789 488450 • Fax: 01789 488032 • Email: sales@st-mach.com • www.st-mach.com

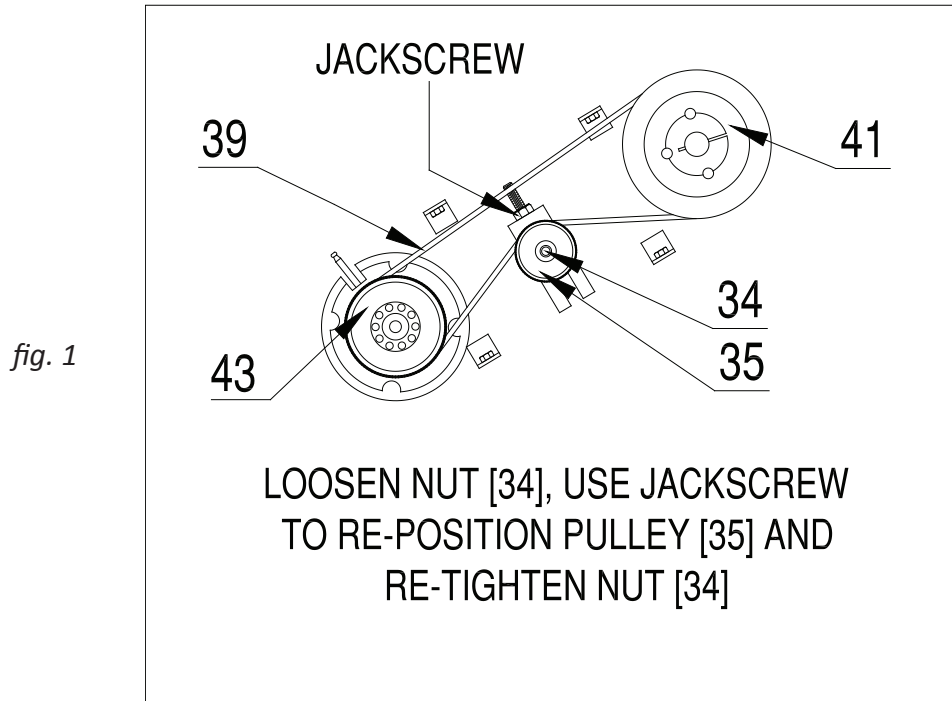
STM Humus Super SM58 deck

BELT ADJUSTMENT

Twin rotor drive belts

Remove guard (56), slacken locknut (34) in centre of flat pulley (35), and adjust by use of jack-screw. Re-tighten locknut. (See illustration below).

Do not over-tension belts!



BELT REPLACEMENT

Rotor belts

Remove guard (27), slacken adjuster pulley (35) to bottom of slide and remove belts.

ALWAYS REPLACE THESE BELTS IN PAIRS.

Adjust belt tension as above and refit guard.

LUBRICATION & MAINTENANCE

Gearbox

Check level on yearly service and top up as required.

Remove level plug and fill through plug hole with gear oil EP80/140.

Duplex chain (22)- gearbox to top pulley

Lubricate with Open Chain Oil – daily

Bearings

Driveshaft (30 & 25) - give 2 or 3 shots with a hand-held grease gun every 500 hours. **DO NOT OVER-GREASE**

STM Humus Super SM58 deck

LUBRICATION & MAINTENANCE [continued]

Rotor shaft – 2 or 3 grease shots every 20 hours. Grease nipples accessed at each end. Both ends must be greased. This procedure is vital to the working of the unit.

Roller

Grease bearings [each end] with 2-3 shots, daily.

VISUAL CHECKS

Belt tension:

Check after initial ten hours and adjust as necessary. After that, check and adjust every 10 hours.

Flaps:

Check for damage, cracks or wear and replace as necessary

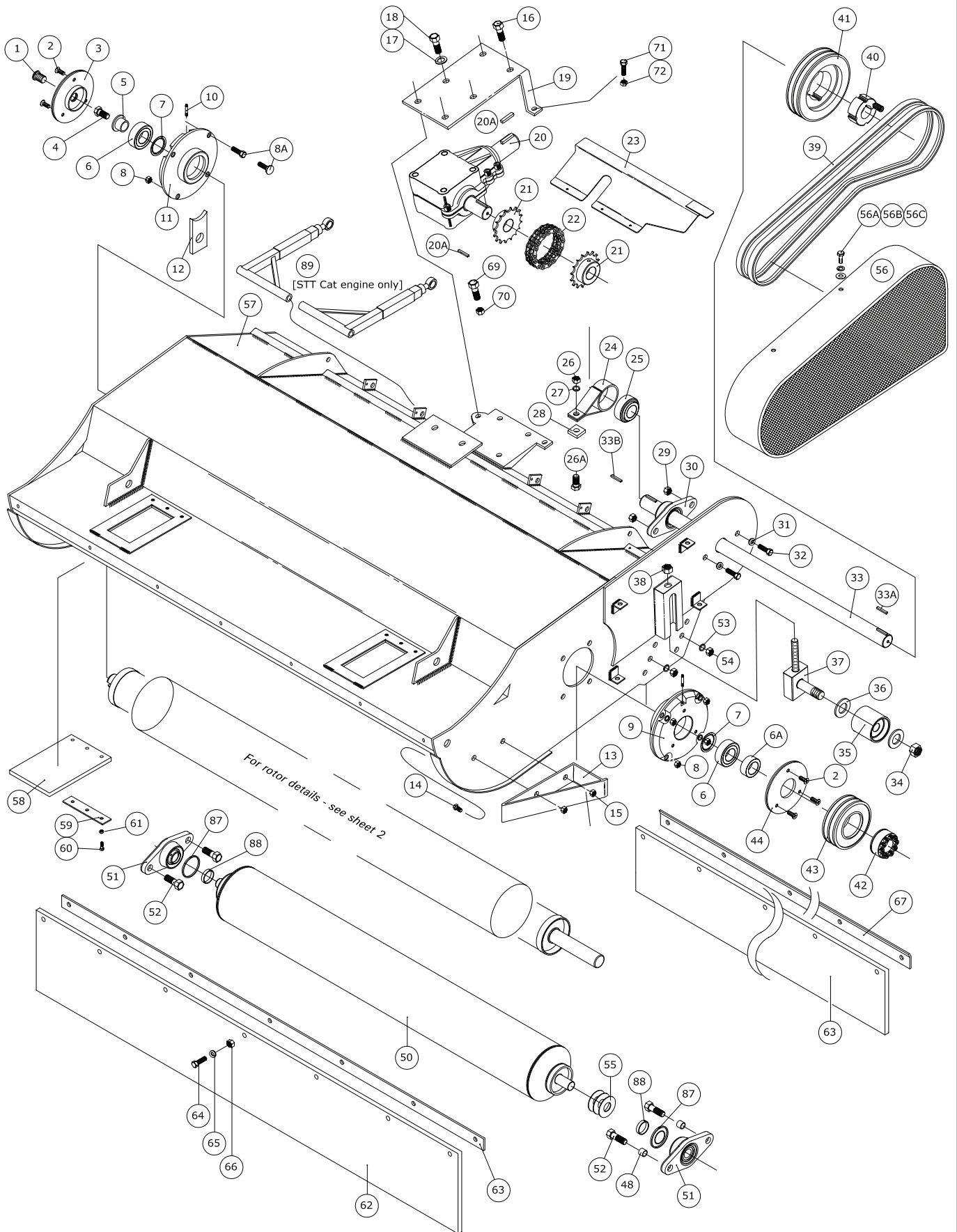
Bolts / Nuts:

Check none have loosened [after initial ten hours, then weekly]

Cutters:

Check condition of cutting teeth units daily and replace if damaged.

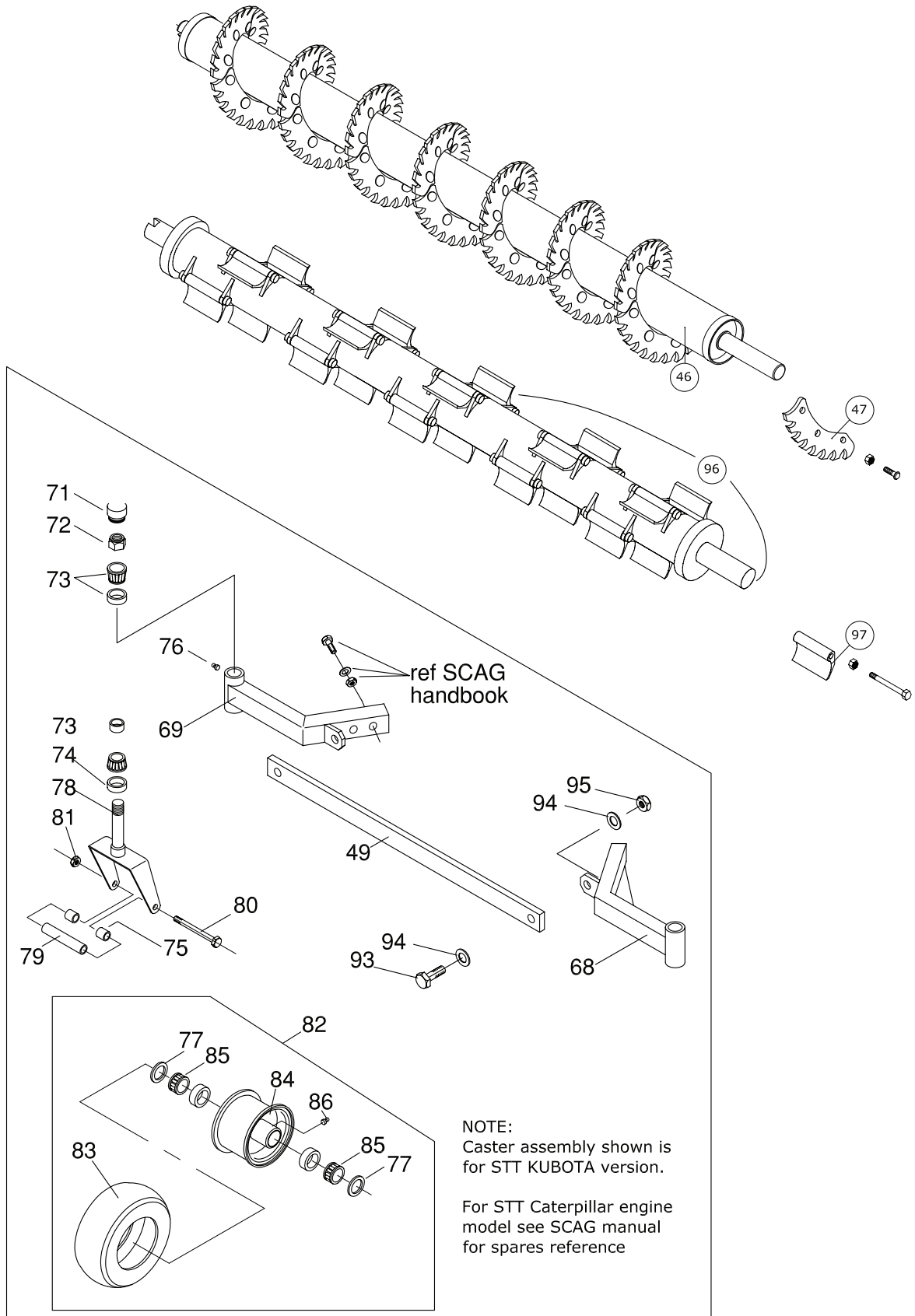
STM HUMUS 58 Sheet 1



STM HUMUS 58 Sheet 2

Safety Cut rotor / flail options

Caster and extension leg assemblies [STT Kubota version]



STM Humus Super SM58 deck

Drawing ref	Part No.	Description
1	M26391634	Pipe plug
2	M97991015	Flathead screw
3	M26391616	Cover
4	M90912152	Allen Bolt
5	M26391507	Retainer
6	M89022207	Bearing
6A	M26691536	Clamping bush
7	M83002007	Seal
8	M81000335	Nut
8A	M97991605	Bolt
9	M26395184	Bearing casing
10	M97141201	Grease nipple [short]
11	M26395185	Bearing casing
12	10462	Filler plate
13	10463	Deflector
14	PL	Bolt: M10 x 25
15	PL	Nut: M10 Nyloc
16	04017-16	Bolt
17	PL	Washer: M10 flat
18	PL	Bolt: M10 x 25
19	10464	Gearbox Top plate
20	482486	Gearbox
20A	04063-01	Key .25 x .25
21	10453	Coupling assembly: incl. 22
22	10453C	Coupling assembly: chain only
23	10465	Shaft cover
24	10466	Brg Carrier
25	10455	Bearing
26	PL	Nut: M10 Nylon
27	PL	Flat washer M10
28	10467	Damper pad
29	PL	Nut: M8 Nyloc
30	10454	Bearing
31	PL	M8 Flat washer
32	PL	Bolt: M8 x 35
33	10468	Drive shaft
33A	10468a	Key 7 x 8 x 35
33B	10468b	Key 7 x 8 x 25
34	PL	Nut: M12 Nyloc

STM Humus Super SM58 deck

Drawing ref	Part No.	Description
35	10264	Tensioner roller
36	10469	Flat washer
37	10470	Adjuster block
38	PL	Nut: M10 Nyloc
39	481496/10577*	Belt [pair] - *Serial #1096 on
40	10471	Taper bush
41	10472	Pulley
42	M80013002	Keyless bush
43	10473 / 10576*	Pulley - *Serial # 1096 on
44	M26691537	Bearing cover
45	M97141201	Grease nipple [long]
46	M26695710	Shaft assembly - complete
47	M26695108 / 118*	Blade [blade & fixings] *Serial # 1060 on [Full set: 21 off]
48	10479	Spacer [bearing]
49	10482	Bracing strip
50	M26695722	Roller
51	M89000025	Bearing
52	M90933022	Bolt
53	M90127004	Washer
54	M90934005	Nut
55	M26891361	Spacer
56	10475	Guard - Rotor end
56A	PL	Bolt: M6 x 16
56B	PL	Spring washer 6mm
56C	PL	Flat washer 6mm
57	10476	Hood only
58	10477	Rubber flap
59	10478	Retaining strip
60	PL	Screw - M6 x 25
61	PL	Nut: M6 Nyloc
62	M26691726	Front flap
63	M26691724	Retaining strip
64	PL	Bolt: M6 x 25
65	PL	Flat washer
66	PL	Nut: M6 Nyloc
67	M26691725	Rear flap
68	10480	Caster arm extension Op LH
69	10481	Caster arm extension Op RH
70	10482	Crossbar

STM Humus Super SM58 deck

Drawing ref	Part No.	Description
71	481559	Grease cap
72	04021-20	Nut
73	48668	Bearing set
74	481025	Seal
75	43584	Caster wheel spacer
76	48114-04	Grease nipple
77	482622	Seal
78	45934	Caster yoke
79	43581	Sleeve
80	04001-134	Bolt
81	04021-07	Hex locknut 1/2" x 13
82	482503	Wheel assy
83	481613	Tyre only
84	482625	Rim [inc. grease nipple]
85	482621	Roller bearing assembly
86	48114-04	Grease nipple
87	M81003207	Cover [bearing]
88	M83002008	Nilos ring
89	10620	Push arm assy - STT Cat version only
90	PL	Bolt: M10 x 30mm
91	PL	Nut: M8
92	PL	8mm spring washer
93	04001-45	Bolt
94	04041-07	Washer
95	04021-09	Nut
96	M26695274	Rotor & Flail assembly complete
97	M26695269	Single flail with fixings

PL _ Purchase Locally