

Parts and Operators Manual

STM Super Flail 52"

Revised Edition - January 2010

Simon Tullett Machinery Company Limited

Tel: 01789 488450 • Fax: 01789 488032 • Email: sales@st-mach.com • www.st-mach.com

STM Super Flail 52"

BELT ADJUSTMENTS

To adjust either the engine-driven belt or gearbox drive belt, remove the guard (4)

Engine-driven belt

Electric Clutch models: tighten nut to keep washer level with face of endplate [see figure 2]

Do not over-tension!

Gearbox belt

Slacken bearing lockbolts (60) and corresponding lockbolts on bottom bearing.

Adjust twin pulley by means of screw (98). Do not over-tighten!

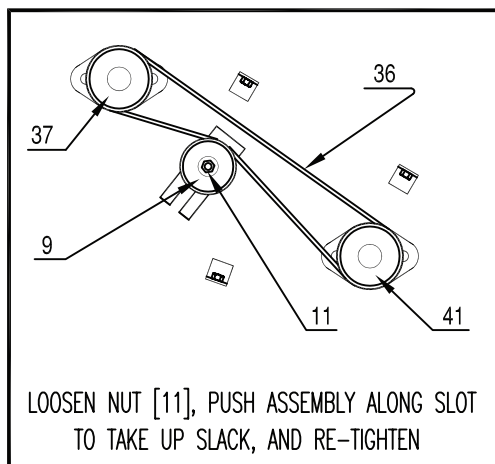
Tighten all bearing bolts and locknuts and re-fit guard.

Twin rotor drive belts

Remove guard (7), slacken locknut (11) in centre of flat pulley (9), and pull up by hand.

Re-tighten locknut. (See illustration below). **Do not over-tension belts!**

fig 1



BELT REPLACEMENT

Engine-driven belt

Electric Clutch models:

Remove guard (4): Undo and remove nut and washer as shown in fig 2.

This slackens off the electric clutch pre-tension mechanism.

Take out the four countersunk bolts (60) and bearing bolts (48).

Remove bearing plate (57), slacken bottom bearing bolts (48) and slacken back twin pulley (56).

Replace belt and re-fit the bottom and top bearing bolts in reverse order.

Re-assemble belt tensioner: re-fit washer and finally tighten the nut until the washer is level with the face of the endplate. [See illustration]

This will give the required tension for the electric clutch.

STM Super Flail 52"

BELT REPLACEMENT *Electric Clutch models: [continued]*

fig 2

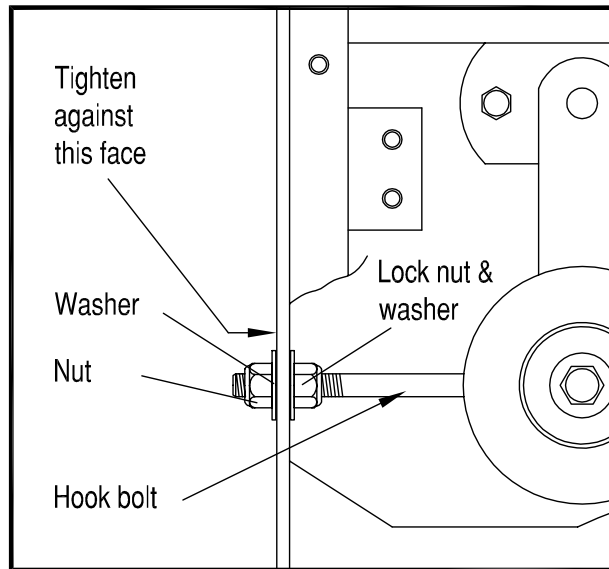


Illustration for pre-tensioning pulley on Electric Clutch models

BELT REPLACEMENT....continued

Rotor belts

Remove guard (7), slacken adjuster pulley (9) to bottom of slide and remove belts.

ALWAYS REPLACE THESE BELTS IN PAIRS.

Adjust belt tension as above and refit guard.

LUBRICATION & MAINTENANCE

Gearbox

Check level every 100 hours and top up as required.

Remove level plug and fill through plug hole with gear oil EP80/140

Bearings

Nos 95 (2 off) and 3 (3 off) - give 2 or 3 shots with a hand-held grease gun every 500 hours.

DO NOT OVER-GREASE

Caster wheels: (swivel and axle nipples) - lubricate every 12-14 hours.

STM Super Flail 52"

VISUAL CHECKS

Belt tension:

Check after initial 10 hours and adjust as necessary. After that check and adjust every 10 hours.

Flaps:

Check for damage, cracks or wear and replace as necessary.

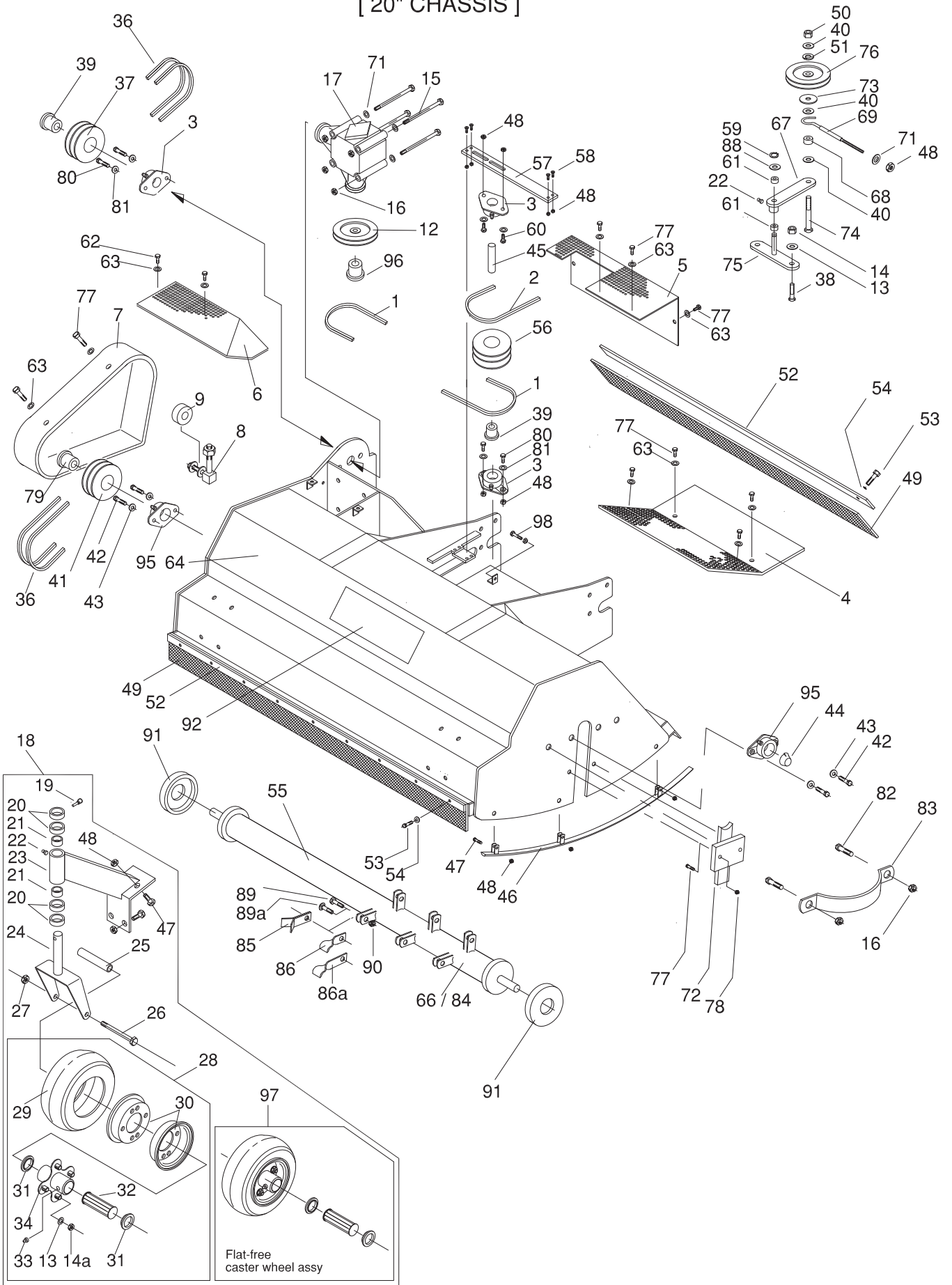
Bolts / Nuts:

Check none have loosened (after initial 10 hours, then weekly)

Cutters:

Check condition of cutter units and fixings daily. Replace if damaged.

STM Super Flail 52 [20" CHASSIS]



STM Super Flail 52"

Drawing ref	Part No.	Description
1	10001B	Belt (Gearbox)
2	10002	Belt (Engine)
3	10003	Bearing LFTC25A
4	10269	Guard
5	10270	Guard
6	10271	Guard
7	10007	Guard
8	10470	Idler assembly
9	10009	Idler pulley
10	10010	Pulley spacer
11	10011	Nut
12	10272	Pulley: 118mm diameter
13	PL	Spring washer - 8mm
14a	PL	Hex nut - 5/16 x 24
14	PL	Hex nut - 8mm
15	PL	Bolt: M10 x 120
16	PL	Nyloc nut: M10
17	10013	Gearbox
18	46079	Caster assy complete (inc. 19-35)
19	04066-01	Quick pin
20	43037-01	1/2" Spacer (Caster yoke)
21	48100-01	Bronze bearing
22	48114-04	Grease nipple
23	10014	Support assembly (inc. 21 & 22)
24	45006	Caster yoke
25	43022	Sleeve (Caster wheel bearing)
26	04001-37	Bolt
27	04021-07	Hex locknut: 1/2" x 13
28	48307	Wheel assy (inc. 13-14 & 29-34)
29	481774	Tyre only (Caster wheel)
30	481772	Rim only (Caster wheel)
31	481770	Bearing retainer (Caster wheel)
32	481769	Roller bearing (Caster wheel)
33	48114-03	Grease nipple
34	481768	Hub assy - inc. bolts
35	481773	Inner tube only (Caster wheel)
36	10118	Rotor drive belts : 2 of
37	10113B	Pulley
38	PL	Bolt: M8 x 30mm
39	10117	Taper hub lock

STM Super Flail 52"

Drawing ref	Part No.	Description
40	PL	Washer: 10 x 21
41	10019	Pulley
42	PL	Bolt: M10 x 35
43	PL	Shakeproof washer
44	10121	Bearing cap
45	10021	Shaft
46	10067	Skid
47	PL	Bolt M8 x 25mm
48	PL	Nut: M8
49	10024	Rubber flap
50	PL	Hex nut: 3/8"
51	PL	Spring washer 3/8"
52	10025	Flap retainer
53	PL	Bolt: M8 x 20mm
54	PL	Spring washer: 8mm
55	10062	Rotor shaft only (not assembled)
56	10026	Twin pulley
57	10027	Bearing plate
58	10028	Bolt
59	04050-02	Retainer ring
60	10029	Bolt
61	48100-05	Bronze BRG
62	PL	Bolt: M6 x 20mm
63	PL	Spring washer: 6mm
64	10030	Flail head (cowling only)
65	10031	Bolt
66	10073	Flail shaft assembly: Twisted flails
67	46081	Idler arm
68	PL	Sleeve
69	44101B	Eye bolt (lengthened 44101)
70		
71	PL	Washer: 24 x 10 x 3
72	10064	Blanking plate
73	43063	Washer: 3/8 x 2"
74	PL	Bolt: 3/8 x 3"
75	10043	Idler pivot
76	10239	Pulley assy inc. bearing & bush
77	PL	Bolt: M6 x 15
78	PL	Nut M6
79	10114	Taper hub fixing

STM Super Flail 52"

Drawing ref	Part No.	Description
80	PL	Bolt: M8 x 40
81	PL	Washer: plain for M8
82	PL	Bolt: M10 x 30
83	10096	Protector plate
84	10072	Flail shaft assy: back to back flails
85	10036	Single back to back flail (Qty - 100)
86	10037	Single twisted flail (Qty - 52)
86a	10082	Single twisted flail long (Qty - 52)
87	10038	Shaft
88	PL	Flat washer
89a	12615	Coach bolt / nut
89	10039	Bolt (special) M10
90	10040	Nut (special) M10
91	10061	Grass guard
92	10042	STM decal
93	PL	Bolt: 5/16 x 3/4"
94	PL	Nut: 5/16"
95	10112	Bearing (shaft)
96	10045/10017	Taper hub lock
97	009275	Flat-free caster wheel assembly
98	PL	Bolt

PL _ Purchase Locally