

Parts and Operators Manual

STM Super Flail 48"

Revised Edition - January 2010

Simon Tullett Machinery Company Limited
Tel: 01789 488450 • Fax: 01789 488032 • Email: sales@st-mach.com • www.st-mach.com

STM Super Flail 48"

BELT ADJUSTMENTS

To adjust either the engine-driven belt or gearbox drive belt, remove the guard (4)

Engine-driven belt

Electric Clutch models: tighten nut to keep washer level with face of endplate [see figure 2]

Do not over-tension!

Gearbox belt

Slacken bearing lockbolts (58) and corresponding lockbolts on bottom bearing.

Adjust twin pulley by means of screw (97). Do not over-tighten!

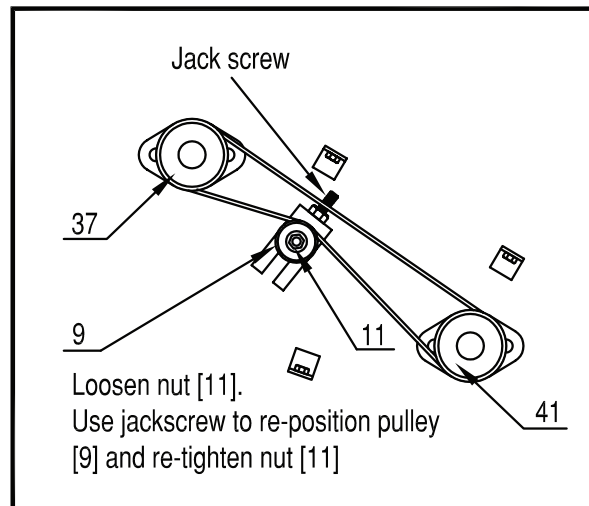
Tighten all bearing bolts and locknuts and re-fit guard.

Twin rotor drive belts

Remove guard (7), slacken locknut (11) in centre of flat pulley (9), and adjust by use of jackscrew.

Re-tighten locknut. (See illustration below). **Do not over-tension belts!**

fig 1



BELT REPLACEMENT

Engine-driven belt

Electric Clutch models:

Remove guard (4): Undo and remove nut and washer as shown in fig 2 below.

This slackens off the electric clutch pre-tension mechanism.

Take out the four countersunk bolts (60) and bearing bolts (58).

Remove bearing plate (57), slacken bottom bearing bolts (58) and slacken back twin pulley (56).

Replace belt and re-fit the bottom and top bearing bolts in reverse order.

Re-assemble belt tensioner and finally tighten the nut until the washer is level with the face of the endplate. [See illustration]

This will give the required tension for the electric clutch.

STM Super Flail 48"

BELT REPLACEMENT *Electric Clutch models: [continued]*

fig 2

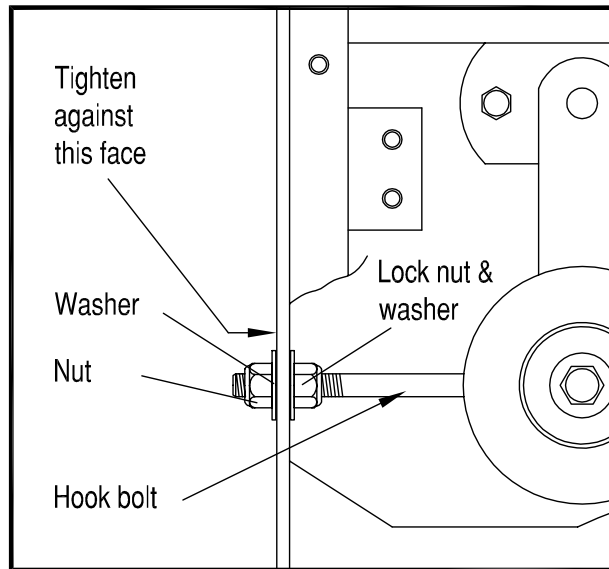


Illustration for pre-tensioning pulley on Electric Clutch models

BELT REPLACEMENT *[Engine driven belt]....continued*

Non-Electric Clutch models:

Remove guard (4): take out the four countersunk bolts (60) and bearing bolts (58).

Remove bearing plate (57), slacken bottom bearing bolts (58) and slacken back twin pulley (56).

Replace belt and re-fit in reverse order.

Check belt tension is correct - DO NOT OVER-TIGHTEN!

Rotor belts

Remove guard (7), slacken adjuster pulley (9) to bottom of slide and remove belts.

ALWAYS REPLACE THESE BELTS IN PAIRS.

Adjust belt tension as above and refit guard.

LUBRICATION & MAINTENANCE

Gearbox

Check level every 100 hours and top up as required.

Remove level plug and fill through plug hole with gear oil EP80/140

Bearings

Nos 95 (2 off) and 3 (3 off) - give 2 or 3 shots with a hand-held grease gun every 500 hours. DO NOT OVER-GREASE

Caster wheels: (swivel and axle nipples) - lubricate every 12-14 hours.

STM Super Flail 48"

VISUAL CHECKS

Belt tension:

Check after initial 10 hours and adjust as necessary. After that check and adjust every 10 hours.

Flaps:

Check for damage, cracks or wear and replace as necessary.

Bolts / Nuts:

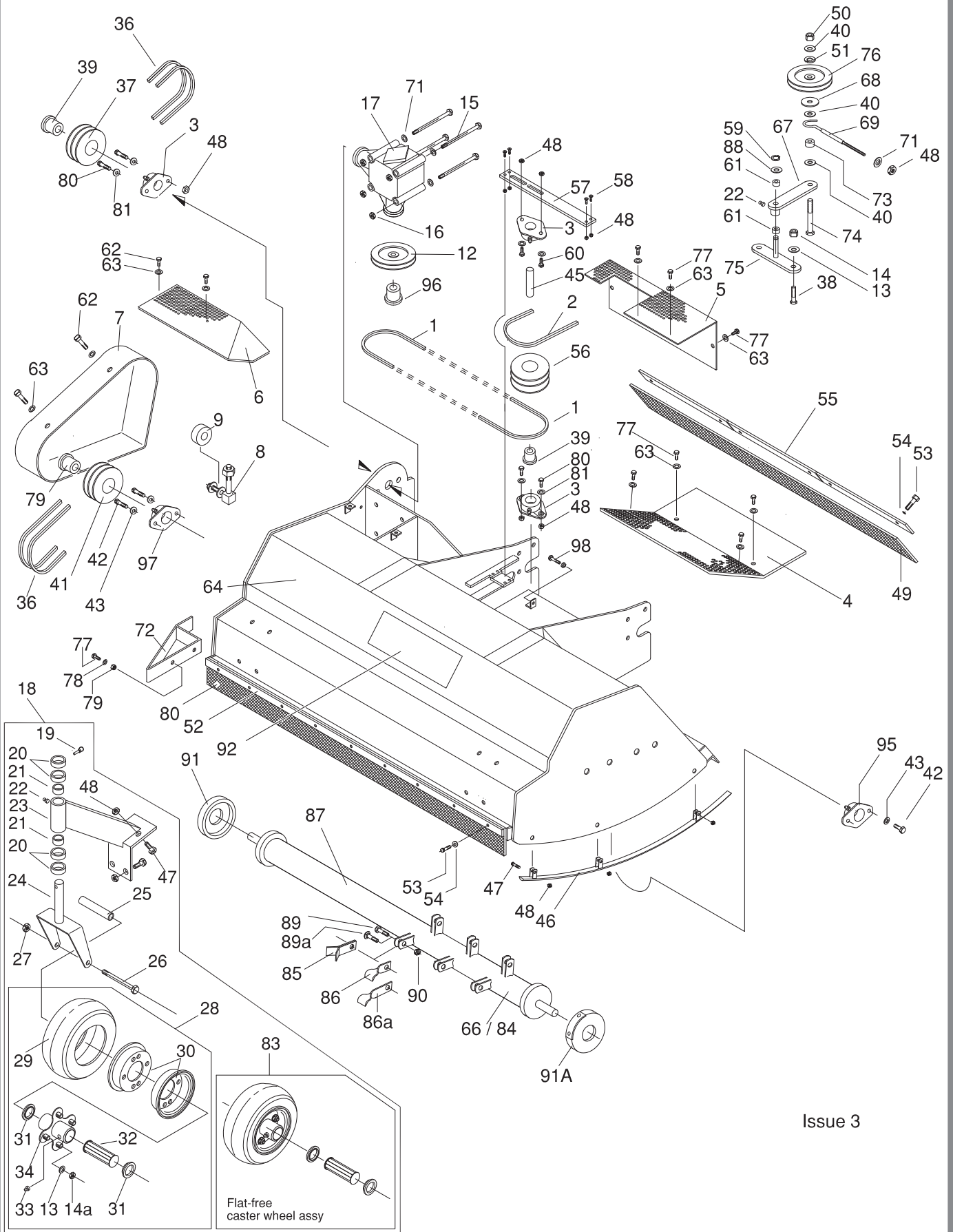
Check none have loosened (after initial 10 hours, then weekly)

Cutters:

Check condition of cutter units and fixings daily. Replace if damaged.

STM Super Flail 48

[16" CHASSIS]



Issue 3

STM Super Flail 48"

Drawing ref	Part No.	Description
1	10450	Belt (Gearbox)
2	10002	Belt (Engine)
3	10003	Bearing LFTC25A
4	10004	Guard
5	10491	Guard - gearbox side
6	10492	Guard - gearbox top
7	10007	Guard
8	10470	Adjuster block
9	10009	Pulley
10		
11		
12	482744	Pulley
13	PL	Spring washer - 8mm
14	PL	Hex nut - 8mm
15	PL	Bolt
16	PL	Nyloc nut
17	10013	Gearbox
18	46079	Caster assy complete (inc. 19-35)
19	04066-01	Quick pin
20	43037-01	1/2" Spacer (Caster yoke)
21	48100-01	Bronze bearing
22	48114-04	Grease nipple
23	10014	Support assembly (inc. 21 & 22)
24	45006	Caster yoke
25	43022	Sleeve (Caster wheel bearing)
26	04001-37	Bolt
27	04021-07	Hex locknut: 1/2" x 13
28	48307	Wheel assy (inc. 13-14 & 29-34)
29	481774	Tyre only (Caster wheel)
30	481772	Rim only (Caster wheel)
31	481770	Bearing retainer (Caster wheel)
32	481769	Roller bearing (Caster wheel)
33	48114-03	Grease nipple
34	481768	Hub assy - inc. bolts
35	481773	Inner tube only (Caster wheel)
36	10118	SPA Belts (pair)
37	10113A	SPA Pulley
38	PL	Bolt: M8 x 30mm
39	10117	Taper hub lock
40	PL	Washer: 10 x 21

STM Super Flail 48"

Drawing ref	Part No.	Description
41	10119-B	Pulley
42	PL	Bolt
43	PL	Shakeproof washer
44	PL	M10 Nyloc
45	10021	Shaft
46	10022	Skid
47	PL	Bolt M8 x 30mm
48	PL	Nut: M10
49	10483	Rubber flap - rear
50	PL	Hex nut: 3/8"
51	PL	Spring washer 3/8"
52	10486	Flap retaining strip (front only)
53	PL	Bolt: M8 x 20mm
54	PL	Spring washer: 8mm
55	10485	Flap retaining strip (rear only)
56	10026	Twin pulley
57	10027	Bearing plate
58	10028	Bolt
59	04050-02	Retainer ring
60	10029	Bolt
61	48100-05	Bronze BRG
62	PL	Bolt: M6 x 20mm
63	PL	Spring washer: 6mm
64	10487	Flail head (cowling only)
65	10031	Bolt
66	10488	Flail shaft assembly: Twisted flails
67	46081	Idler arm
68	PL	Washer: 3/8 x 2"
69	44101	Eye bolt
70	48807	Spring
71	PL	Washer: 24 x 10 x 3
72	10244	Deflector
73	43063	Sleeve
74	PL	Bolt: 3/8 x 3"
75	10043	Idler pivot
76	10239	Pulley assy inc. bearing & bush
77	PL	Bolt: M10 x 25
78	PL	Washer M10 flat
79	PL	Nut: M10 Nyloc
80	10484	Front rubber flap - front

STM Super Flail 48"

Drawing ref	Part No.	Description
81		
82		
83	009275	Flat free castor assy
84	10433	Flail shaft: Complete assy back to back
85	10036	Single back to back flail (Qty - 80)
86	10037	Single twisted flail (Qty - 40)
86a	10082	Single twisted flail long
87	10489	Shaft only - no flails
88	PL	Flat washer
89a	12615	Coach bolt / nut
89	10039	Bolt (special) M10
90	10040	Nut (special) M10
91	10041	Grass guard
91a	10227	Grass guard (slotted)
92		STM decal
93	PL	Bolt: 5/16 x 3/4"
94	PL	Nut: 5/16"
95	10490	Bearing (shaft)
96	10045	Taper hub lock
97	10044	Bearing
98	PL	Bolt

PL _ Purchase Locally